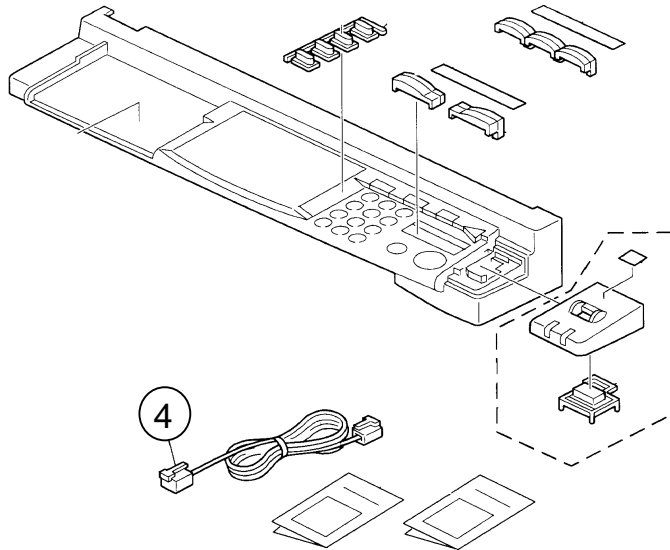


Model: Stinger-C1 Fax Option		Date: 15-Jan-00	No.: MA891001
Modified Article: Modular Cord Change		Prepared by: K. Miura	
From: Technical Services Dept., GTS Division			
Reason for Modification:	<input type="checkbox"/> Parts catalog correction <input type="checkbox"/> To facilitate assembly <input checked="" type="checkbox"/> Part standardization	<input type="checkbox"/> Vendor change <input type="checkbox"/> To improve reliability <input type="checkbox"/> Other	<input type="checkbox"/> To meet standards ()

To meet the new standard, the modular cord has been changed.

Old part number	New part number	Description	Q'ty	Int	Page	Index	Note
H0815700	H5235350	Telephone Cable	1	X/O	5	4	



MODEL NAME	DESTINATION	CODE	JAPAN PRODUCTION
			SERIAL NO.
FAX Option Type 185	USA	A891-01	H2090900001
FAX Option Type 185	Europe	A891-02	
FAX Option Type 185	Asia (Ricoh)	A891-03	H2090900776
FAX Option Type 185	Asia (OEM)	A891-04	
FAX Option Type 185	Taiwan	A891-19	
FAX Option Type 185	China	A891-69	

Reissued: 12-Apr-00

Model: Stinger-C1 Fax Option	Date: 15-Jan-00	No.: MA891002a
------------------------------	-----------------	----------------

MB Correction

The items in bold italics have been corrected or added

Modified Article: Parts Catalog Correction		Prepared by: K. Miura	
From: Technical Services Dept., GTS Division			
Reason for Modification:	<input checked="" type="checkbox"/> Parts catalog correction	<input type="checkbox"/> Vendor change	<input type="checkbox"/> To meet standards ()
	<input type="checkbox"/> To facilitate assembly	<input type="checkbox"/> To improve reliability	
	<input type="checkbox"/> Part standardization	<input type="checkbox"/> Other	

Please correct your parts catalog as follows:

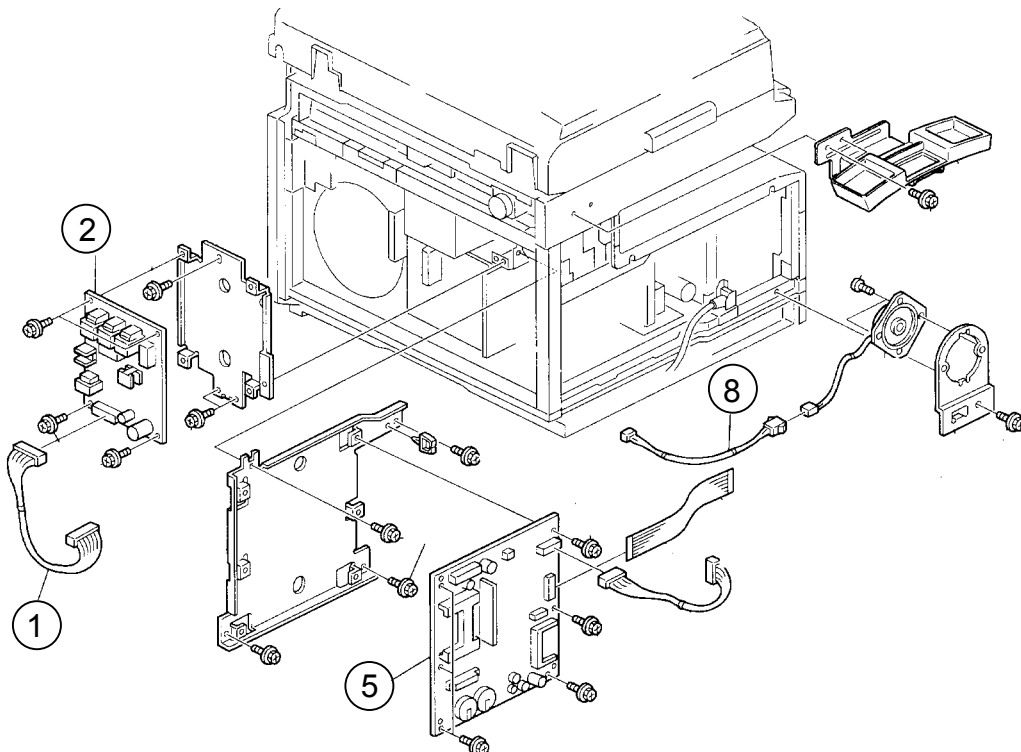
Page 3

Part Number Change

Old part number	New part number	Description	Index
A2915174		PCB – FCU (ASIA)	5
	A2915166	PCB – FCU (RIC-ASIA/TWN/CHN)	5

Description Change

Part number	Old description	New description	Index
A2915276	Harness – FCU-NCU (EU/ASIA)	Harness – FCU-NCU (Except for NA)	1
54486142	PCB – NCU (EU/ASIA)	PCB – NCU (Except for NA)	2
A2915164	PCB – FCU (EU)	PCB – FCU (EU/OEM-ASIA)	5
A2915273	DC Harness – FCU-MS (EU/ASIA)	DC Harness – FCU-MS (Except for NA)	8



Reissued: 12-Apr-00

Model: Stinger-C1 Fax Option	Date: 15-Jan-00	No.: MA891002a
------------------------------	-----------------	----------------

Page 5

Index No. Change

Part Number	Description	Old Index	New Index
A8911462	Sheet – Cover FAX NA (NA/ASIA)	27	29
A8911464	Sheet Cover Function NA (NA/ASIA)	29	27

Part Number Change

Old part number	New part number	Description	Index
A8911473		Right Cover (EU)	23
	A8911474	Right Cover (EU/TWN/CHN)	23

Description Change

Part number	Old description	New description	Index
A8918467	Fax Operation Panel A'ssy (EU)	Fax Operation Panel A'ssy (EU/TWN/CHN)	*
A8911475	Decal Operation – FAX Option (NA/ASIA only)	Decal Operation – FAX Option (Except for EU)	1
A8918467	Packing FC-KEY2 EU A'SSY (EU)	Packing FC-KEY2 EU A'SSY (EU/TWN/CHN)	5
A8910052	Power Switch A'ssy – A4 (EU)	Power Switch A'ssy – A4 (EU/TWN/CHN)	15
A8911473	Sheet – Power Source Cover A4 (EU)	Sheet – Power Source Cover A4 (EU/TWN/CHN)	26
A2501485	Sheet – Cover Zoom EU (EU)	Sheet – Cover Zoom EU (EU/TWN/CHN)	28

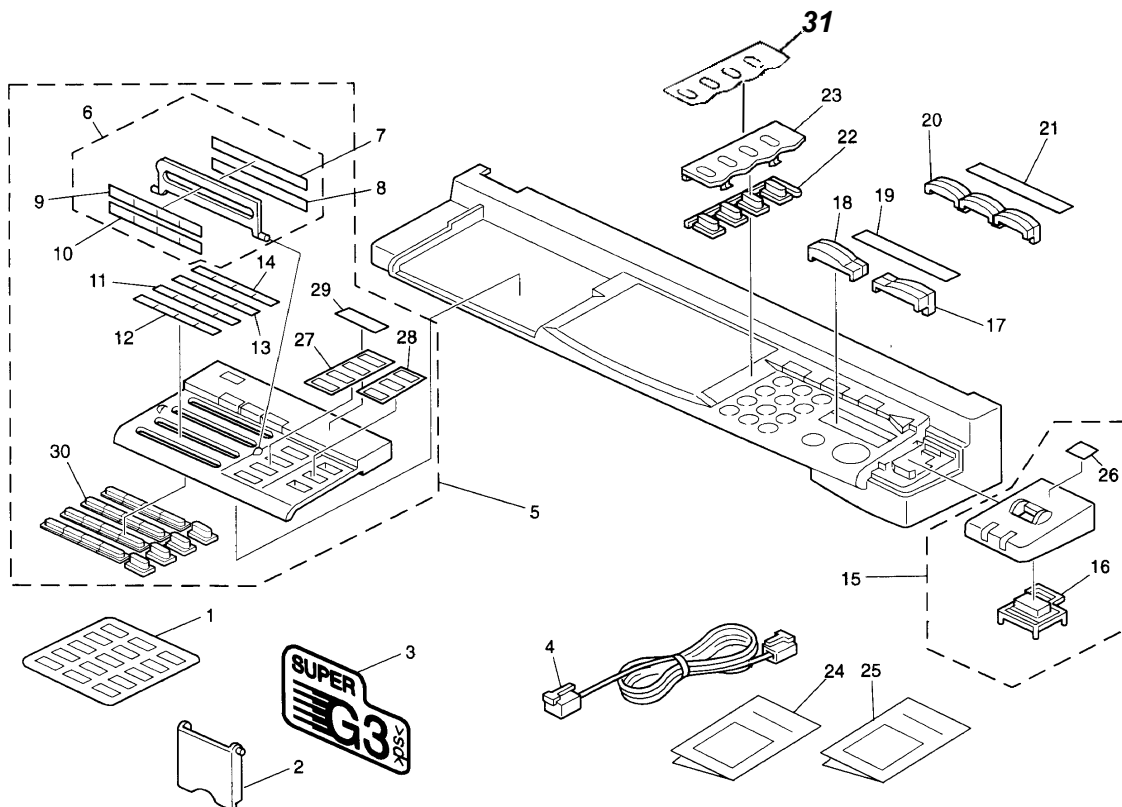
Reissued: 12-Apr-00

Model: Stinger-C1 Fax Option	Date: 15-Jan-00	No.: MA891002a
------------------------------	-----------------	----------------

Part Addition

Part number	Description	Index
A8911518	Decal Operation (TWN)	1
A8911508	Decal Operation (CHN)	1
A8911516	Application Decal 2 (TWN)	19
A8911506	Application Decal 2 (CHN)	19
A8911517	Application Decal 3 (TWN)	21
A8911507	Application Decal 3 (CHN)	21
A8918609	Operating Instructions – Taiwanese	24
A8918606	Operating Instructions – Chainese	24
A8918659	CS Manual – Taiwanese	25
A8918656	CS Manual – Chinese	25
A8911502	Sheet – Cover Power Sorce (CHN)	26
A8911514	Sheet – Cover Function (TWN)	27
A8911504	Sheet – Cover Function (CHN)	27
A8911501	Sheet – Cover Zoom (CHN)	28
A8911513	Sheet – Cover FAX (TWN)	29
A8911503	Sheet – Cover FAX (CHN)	29
A8911515	Sheet – Right Cover (TWN)	31
A8911505	Sheet – Right Cover (CHN)	31
H5115007	Stamp	32

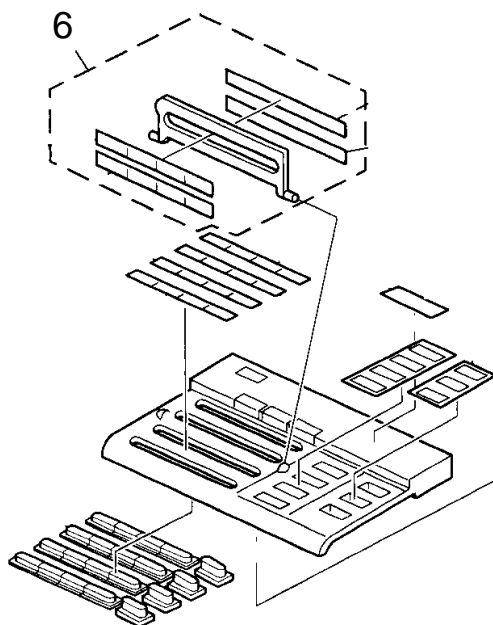
delete



Model: Stinger-C1 Fax Option		Date: 15-Feb-00	No.: MA891003
Modified Article: Quick Dial Flap		Prepared by: K. Miura	
From: Technical Services Dept., GTS Division			
Reason for Modification:	<input type="checkbox"/> Parts catalog correction <input type="checkbox"/> To facilitate assembly <input type="checkbox"/> Part standardization	<input type="checkbox"/> Vendor change <input checked="" type="checkbox"/> To improve reliability <input type="checkbox"/> Other	<input type="checkbox"/> To meet standards ()

The decals that some customers use for the Quick Dial flap are sometimes thick enough to prevent the flap from pushing down on the detector. As a result, faxes are sent to the wrong destination. To prevent this, the flap itself has been made heavier.

Old part number	New part number	Description	Q'ty	Int	Page	Index	Note
A2509000	A2509001	Plate Onetouch Dial	1	X/O	5	6	



MODEL NAME	DESTINATION	CODE	JAPAN PRODUCTION
			SERIAL NO.
FAX Option Type 185	USA	A891-01	H2000100010
FAX Option Type 185	Europe	A891-02	H2000100278
FAX Option Type 185	Asia (Ricoh)	A891-03	H2000100673
FAX Option Type 185	Asia (OEM)	A891-04	
FAX Option Type 185	Taiwan	A891-19	H2000200830
FAX Option Type 185	China	A891-69	H20002xxxxx